

8

7

6

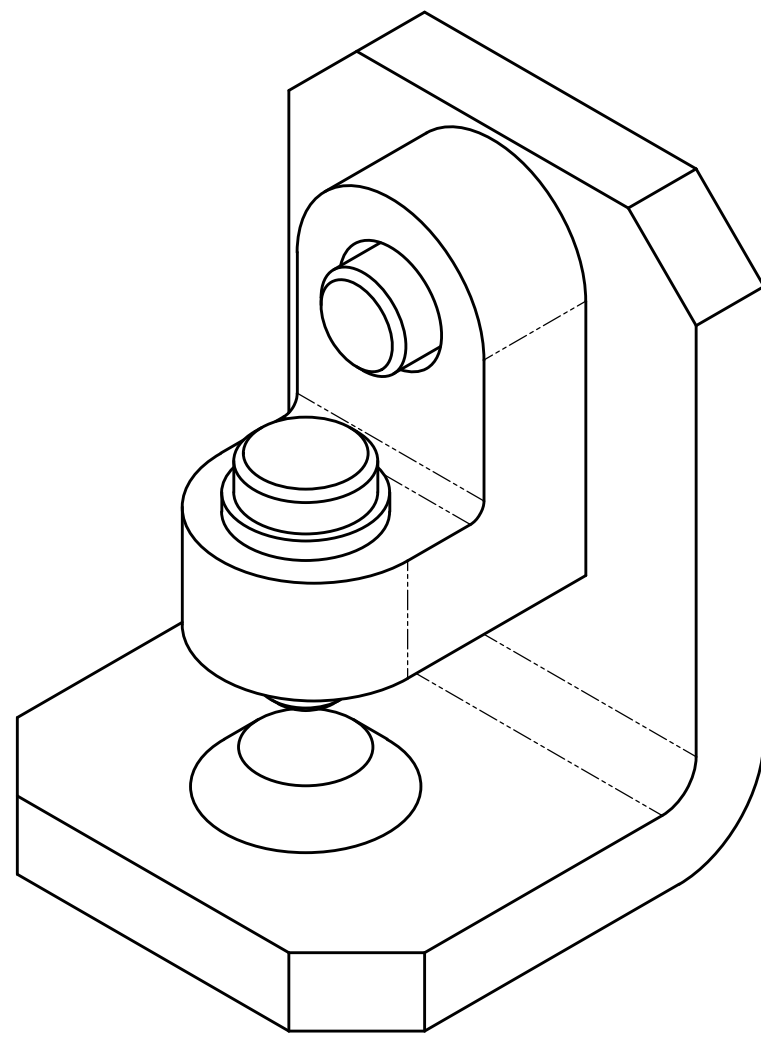
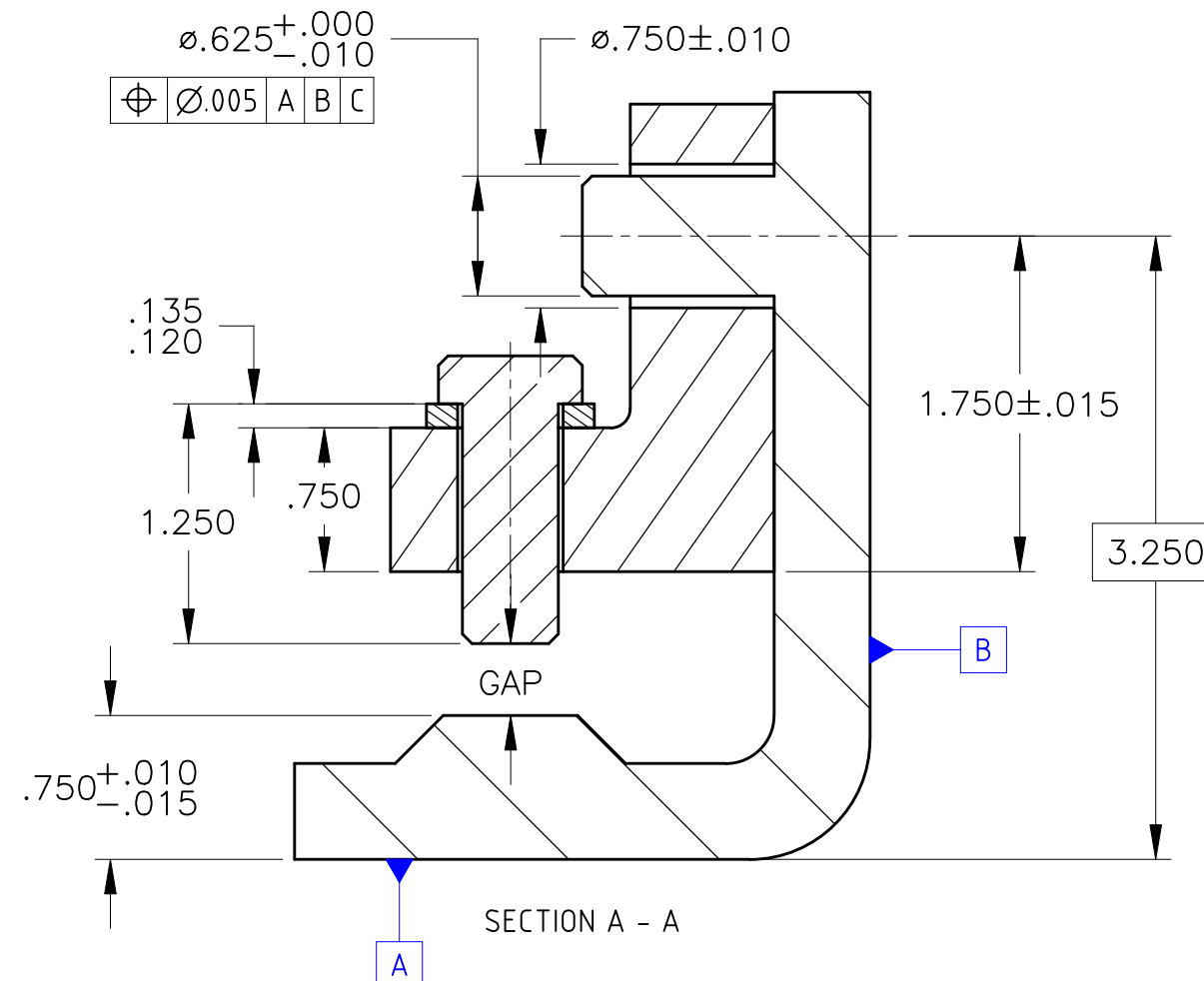
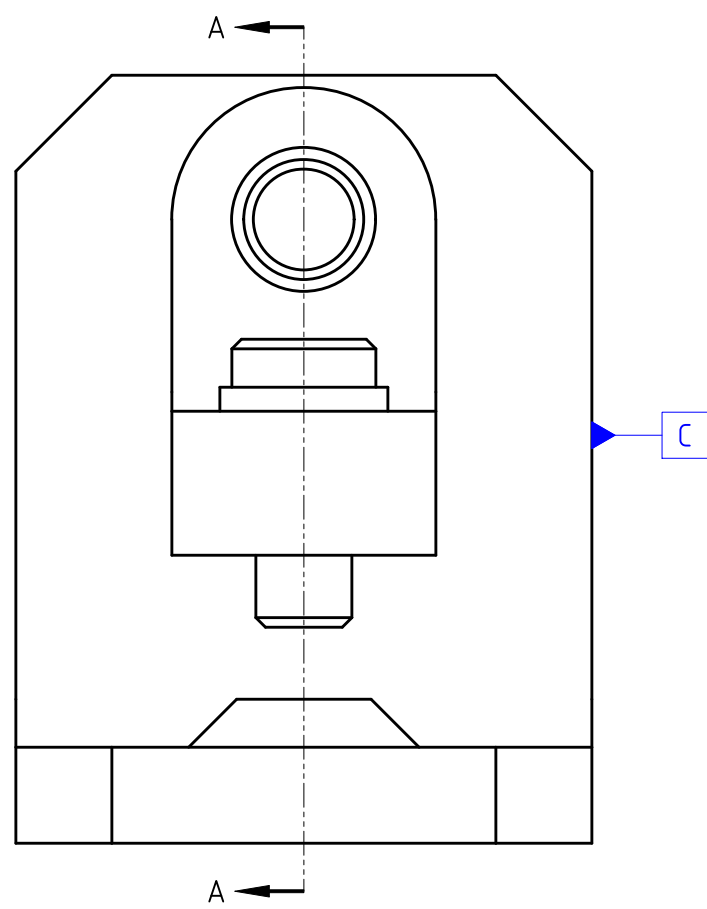
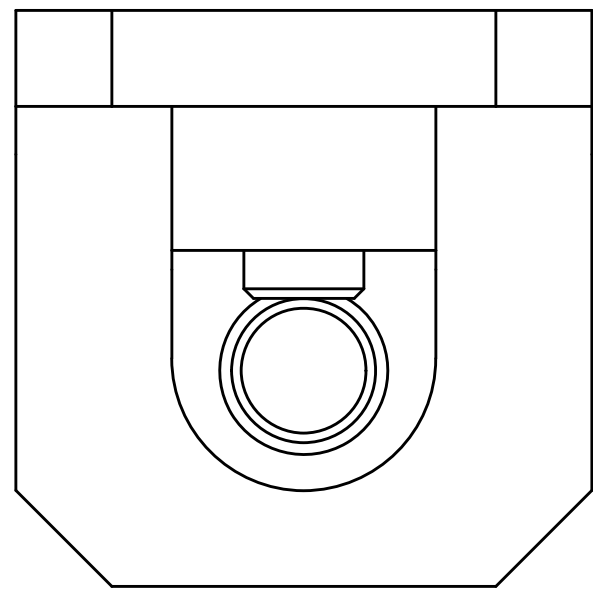
5

4

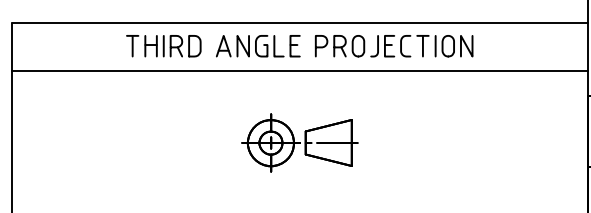
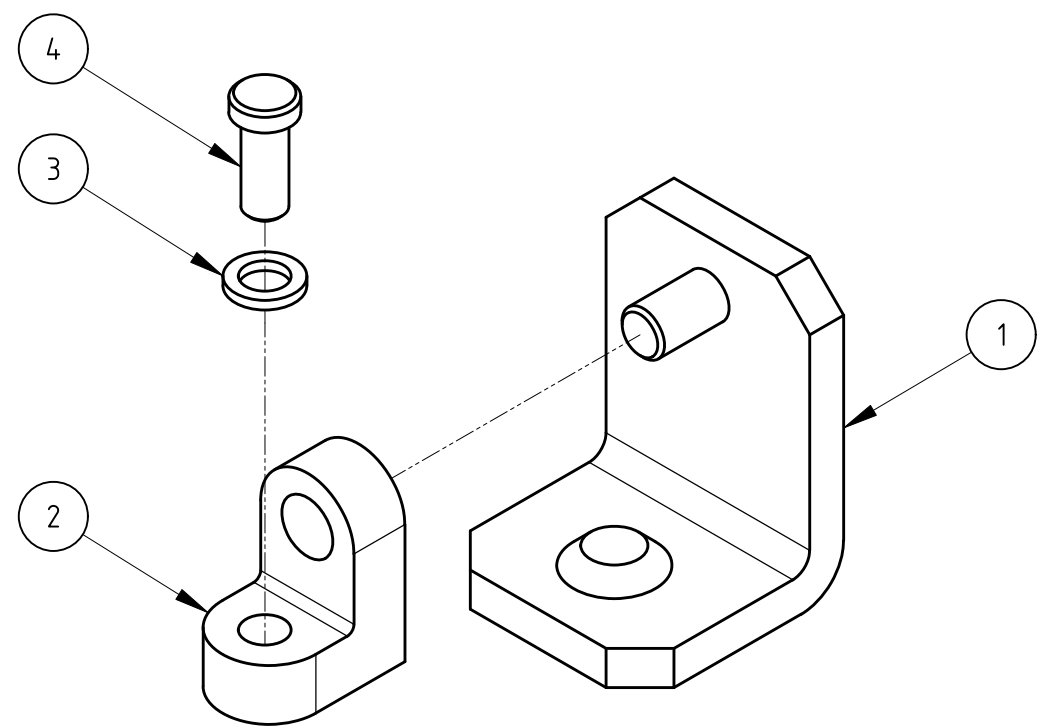
3

2

1



UNLESS OTHERWISE SPECIFIED:
 X.X ± .05
 X.XX ± .01
 X.XXX ± .005



Item	Quantity	Description
1	1	BRACKET
2	1	HANGER
3	1	WASHER
4	1	PIN

TITLE: EXAMPLE ASSEMBLY 1
TOLERANCE ANALYSIS
RAD

SIZE C	DWG NO	100087	REV
SCALE 1:1			SHEET 1 OF 2

8

7

6

5

4

3

2

1

6

5

4

3

2

1

D

D

C

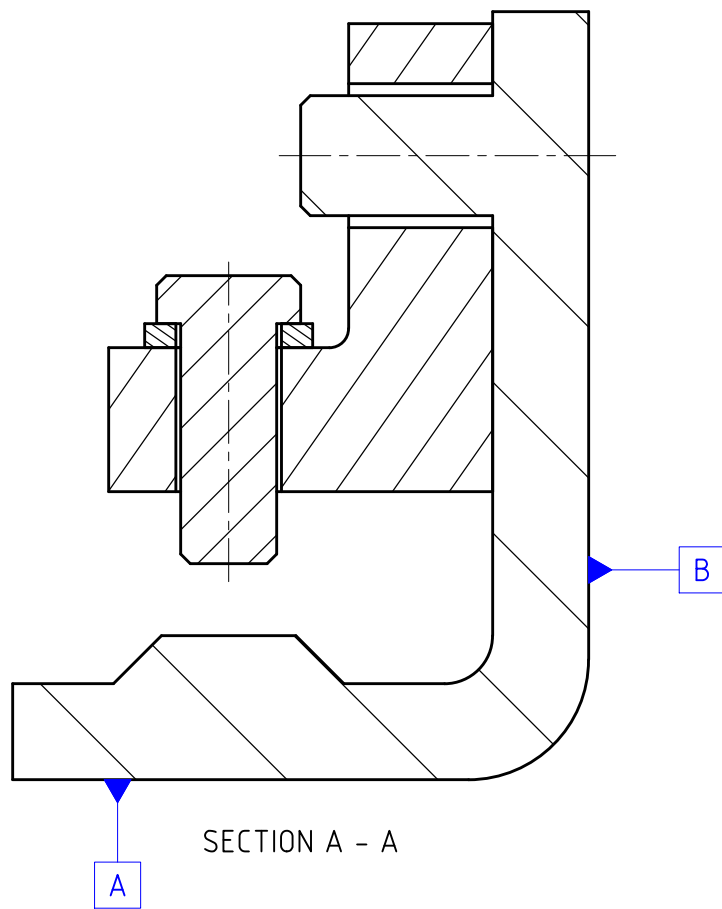
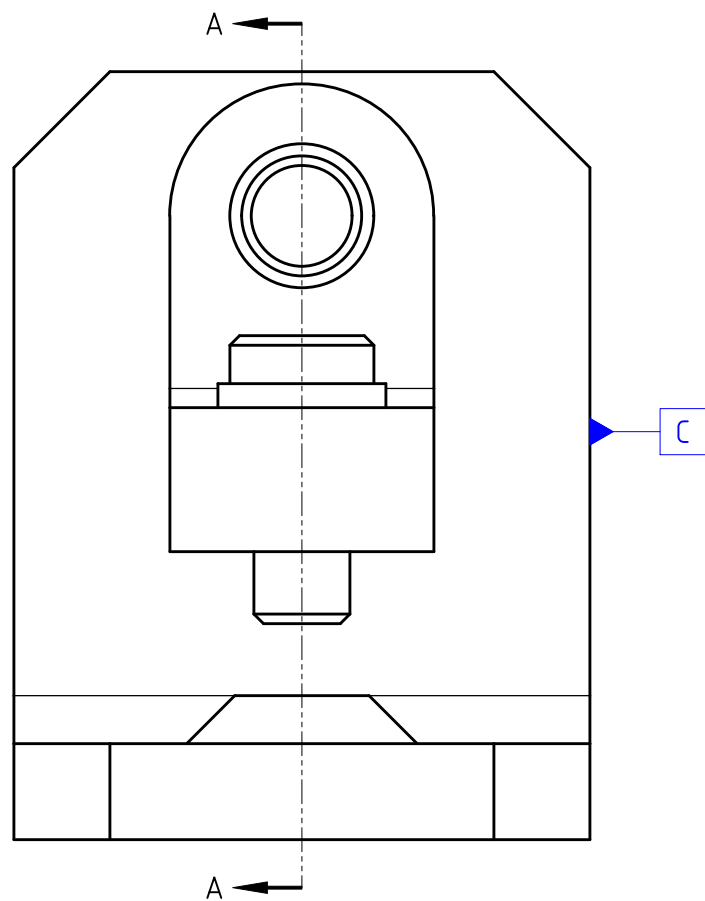
C

B

B

A

A



UNLESS OTHERWISE SPECIFIED, DIMENSIONS ARE IN INCHES .XX = ±.0- .XXX = ±.00- .XXXX = ±.000- SURFACE FINISH	NAME	DATE			
	DRAWN	CHRISTIAN PETTY	05/13/2022		
	CHECKED			TITLE	
	APPROVED				
DO NOT SCALE DRAWING					
BREAK ALL SHARP EDGES AND REMOVE BURRS					
THIRD ANGLE PROJECTION	MATERIAL	FINISH	SIZE	DWG NO.	REV.
			B	100087	
			SCALE	WEIGHT	SHEET
			1:1		2 of 2

6

5

4

3

2

1